



IMPORTANT!

FLUSH SYSTEM BEFORE FIRST USE

FIRST USE

The ice maker must stand upright for 24 hours before initial use for stabilization of internal parts.

Step 1 Fill the reservoir with a solution of white vinegar and distilled water in a 1:1 Ratio (**1 cup white vinegar + 1 cup distilled water**). It may require more to achieve a level between MIN and MAX markings on the water level indicator. **DO NOT OVERFILL.**




Distilled Water



Vinegar



May take up to 3-5 cups to fill

Step 2  Press & hold **CLEAN CYCLE** button for 3 seconds LED light turns off after 3 minutes when Clean Cycle is complete.

Step 3 Unplug unit and remove drain plug from bottom of unit. Empty water into a sink, or bucket placed lower than the ice maker.

Step 4 Drain water from bottom of the unit (replace drain plug).

Step 5 Plug the unit in and repeat **Step 2** with clean, fresh water 3-4 times with draining in between each cycle. Always unplug the unit before and during the draining process.

TIP: Cleaning is recommended 1X per week if using ice maker daily, or in between uses. Some noises are common during ice making and cleaning cycles.

GETTING STARTED

- Step 1** Plug into a grounded 3-prong outlet.
- Step 2** FILL WATER reservoir with Distilled or Purified water below Max Line of water level indicator.
- Step 3** Press POWER button to turn on.
- Step 4** Press SOFT ICE button to start making ice within 10 minutes and allow it to run continuously until ICE FULL or ADD WATER indicators are illuminated.
- Step 5** Power OFF, EMPTY ice bin and DRAIN reservoir when not in use.

IN THE BOX: Soft Nugget Ice Maker, Ice Bin, Ice Scoop, Quick Start Guide, User Guide and Customer Review Card

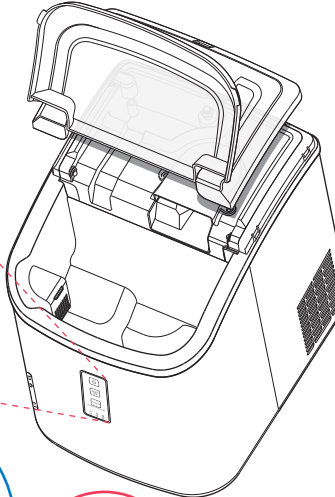
LOCATION OF CONTROLS

POWER Button: Press the Power button once to turn on the appliance.

SOFT ICE Button: Press button once to start making ice.

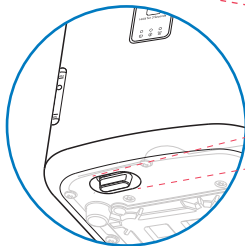
CLEAN Button: Press and hold for 3 seconds for Clean Cycle

Indicator Lights:
(Power • Add Water • Ice Full)



DRAIN LINE

Position unit next to sink or bucket where ready to empty into a sink, or bucket.
Detach **drain plug** from bottom of unit when ready to empty into a sink or bucket.



SAFETY PRECAUTIONS



Use a grounded
3-prong outlet only



No location near
heat/sunlight



No Sharp Knife
to Unpack



Ensure 4" clearance
from rear of unit when
placed against wall



2 People
Recommended
for lifting



Distilled, or Purified
water recommended



Indoor Use Only



Extension cord
NOT recommended



WARNING



CUT HAZARD

Keep hands
clear of blade.



DANGER! Risk of
fire or explosion due
to puncture of refrigerant
tubing; Follow handling
instructions carefully.
Flammable refrigerant used.

©2023 All Rights Reserved. MADE IN CHINA Distributed by Kell Electronic USA Inc. Houston, TX.
Personal Chiller is a registered trademark of Kell Electronic USA Inc. Other product names, brand names,
and company names may be trademarks or designations of their respective owners. Due to continued
product improvements, the product shown on may differ slightly from actual product purchased.